

Step-by-Step Audicator Fitting Instructions



The Audicator has been designed to audibly alert the rider to the potential danger that the still active indicators present, when they are inadvertently left operating after the manoeuvre is completed.

Your Audicator kit comprises of:-

- ✓ Audicator Unit. Complete with 1.2 meters of 4 core cable pre-attached.
- ✓ 3 x Pairs Pre-insulated terminals.
- ✓ 1 x Pre-insulated ring terminal
- ✓ 2 x Pieces Shrink tube (for exposed cable insulation).
- ✓ 1 x M4 Pan Head Screw
- ✓ 1 x Handlebar Fixing Bracket
- ✓ 1 x Double Sided Self Adhesive Pad
- ✓ 1 x Ancillary Bracket
- ✓ 4 x Cable Ties (small)
- ✓ Multi purpose wipe
- ✓ 1 x 1 meter Programming Cable
- ✓ 2 x Audicator.com stickers.



Tools Required:-

- ✓ Wire snips
- ✓ Circuit tester (NB unit displayed is suitable for 12-24 volts DC ONLY)
- ✓ Wire crimping tool
- ✓ Screwdrivers/Allen keys etc. to suit vehicle

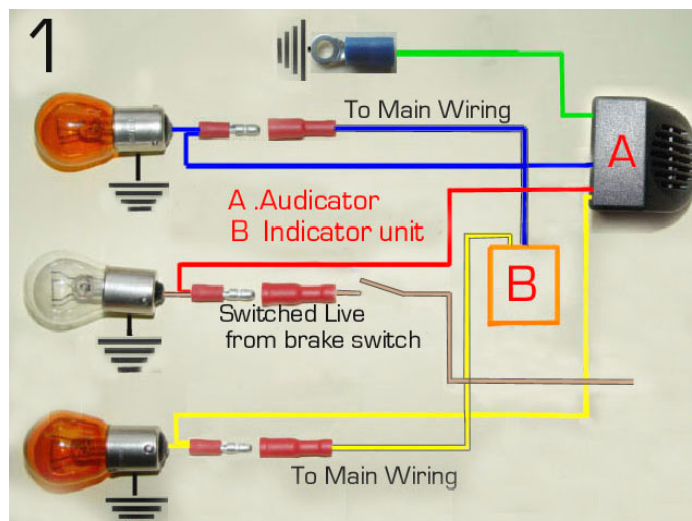


Fitting

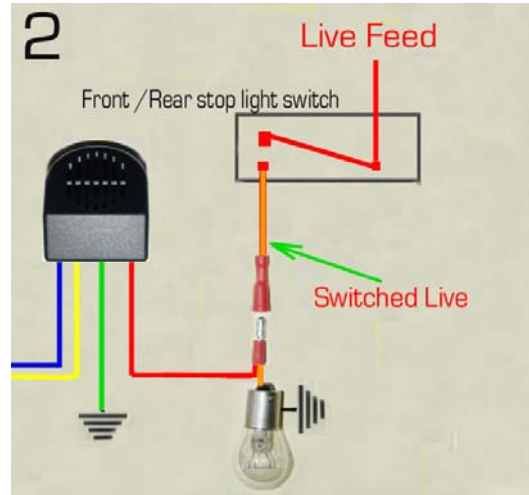
- ★ **Please read the fitting instructions fully before attempting to install the unit.**
- ★ It is recommended that the Audicator unit be fitted externally at the front of the motorcycle for optimum effect, although on some small machines (scooters and mopeds), the output volume may be sufficient that fitting under the seat or within the front casing is perfectly adequate.
- ★ The Audicator is supplied with a variety of fixing solutions including a self adhesive pad, a handle-bar mounting clamp, and a bracket to enable an alternative direct fixing method.
- ★ Where the machine is fitted with a fairing, the best effect is usually heard within the windshield dome area although if the resulting sound level is adequate the unit may be fully concealed inside the main fairing.
- ★ Where possible, position the Audicator to give protection from rain etc. and always ensure the unit is positioned in such a way so as to allow water to drain from the unit if it does become wet.

Fitting the Audicator Unit

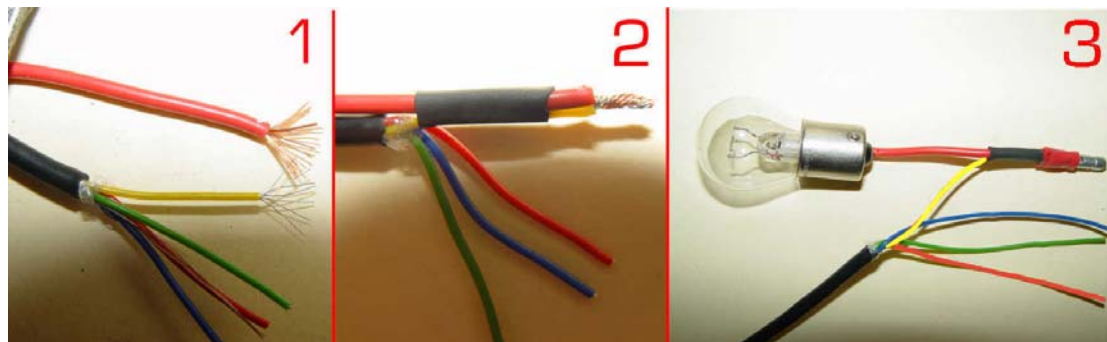
- ★ Install your Audicator with the ignition turned OFF
- ★ Decide on the location of your Audicator, bearing in mind the points made in the fitting instructions above.
- ★ To ensure correct identification and connection of wires - a meter or bulb tester should be used.
- ★ When fitting male/female connectors of any type, always fit the male connector to the wire going to the component, the female being connected to the positive side of the circuit, i.e. the battery side. If this rule is applied, should the two parts of the connector become detached whilst in service; a short circuit will be avoided.



If you are fitting the Audicator at the rear of the motorcycle, then the red wire can be connected directly to the positive feed to the stop-light, or the switched wire from the rear brake-light switch – see diagram 1. Note: ensure you only connect to the wire which becomes live when the brake is activated. The Blue and yellow wires should be connected to the positive feed to the respective indicators (rear).



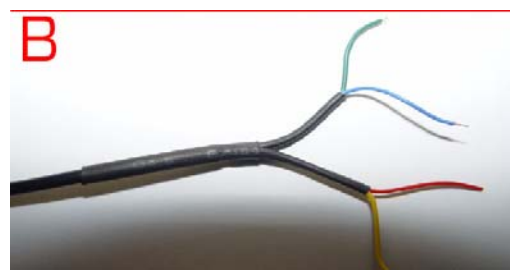
If you are fitting the Audicator to the front of the motorcycle, it is usually more convenient to connect the Red wire to the switched wire from the front brake-light switch – see diagram 2. Note: ensure you only connect to the wire which becomes live when the brake is activated. The Blue and yellow wires should be connected to the positive feed to the respective indicators (front).



When connecting the wires, ensure the following colour codes are followed:-

- | | |
|-----------------------|---|
| 1. Blue wire | left hand (near side) indicator. |
| 2. Yellow wire | right hand (off side) indicator |
| 3. Red wire | brake light. |
| 4. Green wire | earth. |

Before cutting wires on your vehicle, ensure they are the switched **positive** feeds to the indicators and brake light (i.e. NOT negative/earth).



- ★ Before cutting wires on your vehicle, ensure they are the switched positive feeds to the indicators and brake light (i.e. NOT negative/earth).
- ★ Use the heat-shrink tubing supplied to separate and protect any exposed wires BEFORE fitting connectors (see image A above). Use a hair dryer or boiling water to shrink the tubing and create a professional looking installation (see image B).
- ★ Cut the wire and install the MALE section of the connector on the component side of the joint (i.e. Audicator and Bulb are paired together)
- ★ Fit the FEMALE section of the connector on the live feed side of the joint.
- ★ Secure the **Green** earth cable to the main metal structure of the vehicle, ensuring the bare metal is exposed to the cable end. If possible use a common earthing point or connect to an existing negative/earth wire.

NOTE: programming of the Audicator is initiated by providing a constant 12 volt positive feed to the yellow or blue wire. Therefore if you use an alternative type of connector to those supplied, it will also be necessary to modify your programming lead to suit.

Testing

- ★ You do not need to road test your bike to ensure the unit is working satisfactorily.
- ★ Operate your indicators left or right.
- ★ Your indicators should work as normal.
- ★ The Audicator is supplied with factory presets and will allow TEN flashes before the unit starts to audibly alert.
- ★ From the point where the alarm starts to sound, the intensity of the sounder will increase, this will continue until you either:-

1. Turn off your indicators
2. Use either brake. (At which point the cycle will recommence).

Hazard Warning Alert Facility

Please note: this feature of the Audicator will only work if a four way flasher (hazard warning) facility is installed on your motorcycle.

When operating the hazard warning switch, the audible warning given off by the Audicator will be at maximum output for a pre-set number of flashes (50) and will then become silent.

Reprogramming of your Audicator Unit

The Audicator is supplied with a software configuration which we have identified as being best suited to most applications. However, by using the programming lead supplied with the unit and following the programming instructions on the Audicator website it is possible to personalise the Audicator in line with your own preferences – see programming section.